

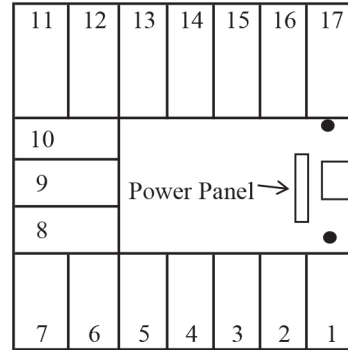
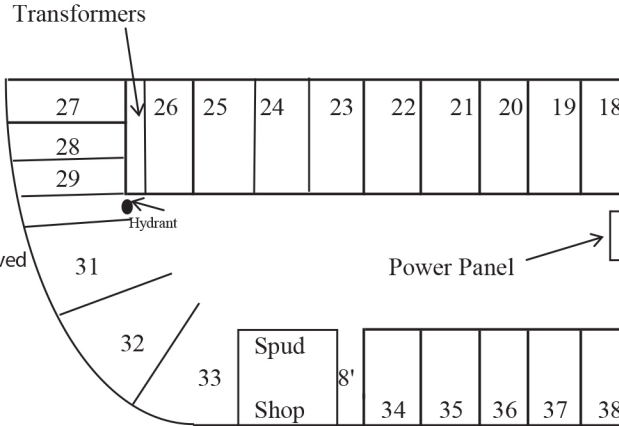
# Area E

41 Stalls - 10' x 20'

NORTH



400  
Building



604  
Buildi